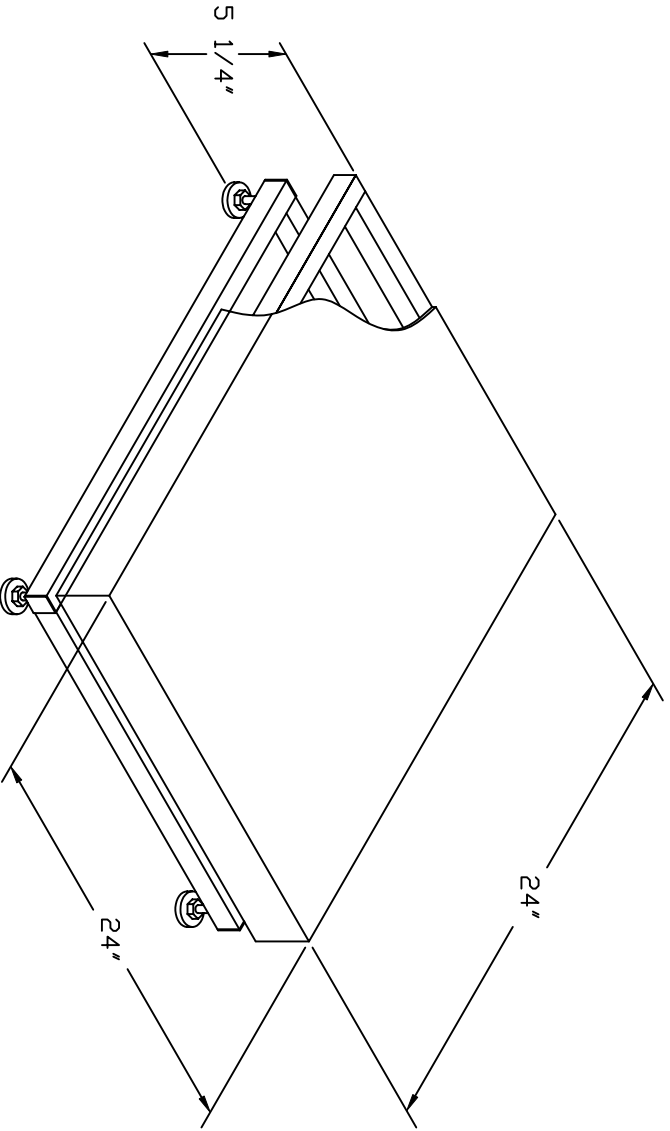
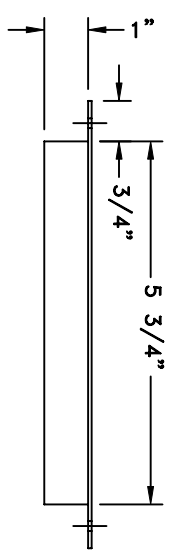
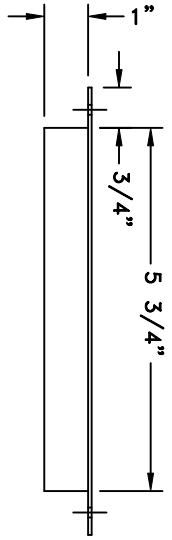
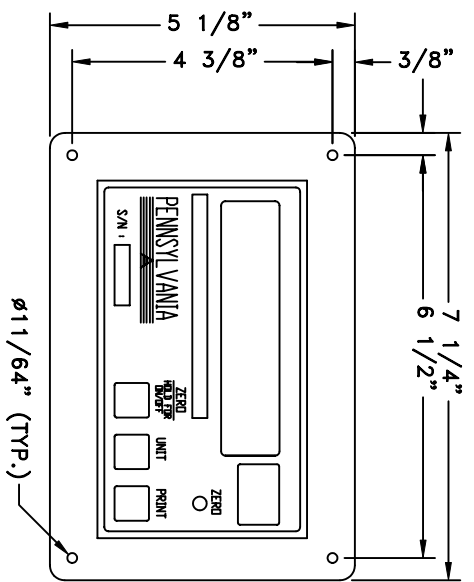
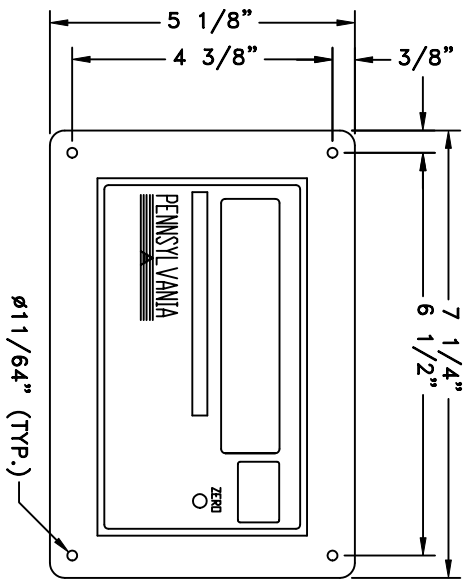


REV	DESCRIPTION	DATE	APPROVED
A	DIMENSIONAL REFERENCE DRAWING ONLY - DO NOT REVERSE	9/11/2003	TSF



MODEL 6400 24" x 24" BENCH SCALE DIMENSIONAL DRAWING

THIS IS A COMPUTER GENERATED DRAWING DO NOT SCALE DIMENSIONS. REFER TO DIMENSIONS FOR DIMENSIONS.

PENNSYLVANIA

1042 NEW HOLLAND AVE., LANCASTER, PENNSYLVANIA 17601
 800.233.0473 / 717.295.6935 / FAX:800.786.6350

TOLERANCES UNLESS OTHERWISE SPECIFIED
 THREE PLACES +/- .000 FRACTIONS +/- 1/64
 TWO PLACES +/- .010 ANGLES +/- 1 DEG.

MATERIAL: CONCRETE FACTORY

FINISH: POLYMERIZED

DATE: 9/11/2003 SCALE: N/A APPROVED: [Signature]

SIZE: DIM: 24" x 24" BLDG: DIM-64-24X24

INFORMATIONAL DRAWING OF MDL 64

SHEET 1 OF 1